



Radio Direction Finder DF2002T

GLOBAL TSCM GROUP, INC.

DF2002T Radio Direction Finder kit requires minimum assembly for 10~15 Minutes

The Stealth DDF2002T/GPS is an economical but very sophisticated Doppler Direction Finder with GPS and can connect a PC or Laptop, to position and draw plots on GoogleEarth™ display window accompanied with "Navi 2020" plotting program.

** Required only minimum assembling for 10~15 minutes with the tested components in the case

FUNCTIONS

- Multi Display - Numeric & 36 LED pelorus display
- Compatible with APRS software
- Can use with "Navi2020" map plotting display program (with the optional GPS Receiver)
- Uses GoogleEarth™ viewer for displaying map of plotting.
- Automatic or manual operation
- Accepts standard \$GPRMC NMEA GPS message
- Archive Navi files are auto-saved

SPECIFICATIONS

- Microcomputer / DSP Doppler DF
- DF Antenna Module with built-in magnetics on the bottoms for easy install
- GPS input for "moving map" Windows display
- RS232 output for PCs (can use with Serial to USB conveter)
- Uses Any Type of FM Receiver and Scanner, Wideband Antenna design
- 12 - 28 VDC operation
- Pre-assembled External Antenna Unit for Plug and Play
- 4 antenna elements and new circuit design for improving the sensitivity and accuracy
- Suitable from 100 to 1000 Mhz and beyond
- Useful from 88 to 100 MHz with reduced sensitivity

MAJOR FEATURES

- VHF/UHF Doppler type DF, (4 antennas) primarily for mobile DF operation, 100 to 1000 MHz
- The user must provide additional equipment (PC or laptop) to use the DDF2020T DF System:
- A VHF/UHF FM receiver is required. (For receiving a signal for DF)
- Pre-assembled antenna unit for Plug and Play
-
-

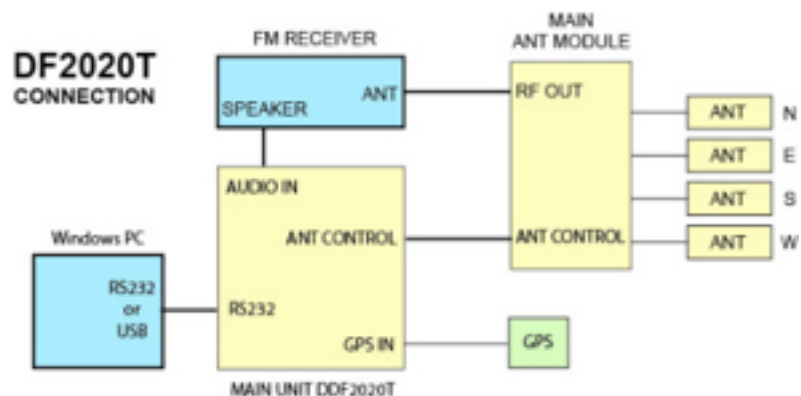
-
- Comes With DDF2020T, Antenna Unit, GPS Receiver(option), Navi2020 Program(Option), 3.5mm Audio Cable Set, Antenna Control Cable(4.3 m), RG174 Cable(14.5 m), Bracket, Cigar Cord. - Not Include Receiver and antennas
- The appearance of product may be different from the picture



Contents in the Package

- Case with assembled parts - requires a minimum assembly
- The Antenna Module with magnetics on the bottoms
- Cigar Jack Power Cord
- Screw pack
- 3.5 mm Audio Cable Set
- RG-174 cable
- Antenna Control Cable
- Bracket

- Receiver Frequency: Determined by user-provided FM receiver, range 100 to 1000 MHz
- Antenna : Four elements, wave vertical with ground plane (recommended)
- Ant Scan : Scan rate 430 Hz, rotation clockwise (viewed from above antenna)
- Ant Switch : Modified Joe Moell Wideband Doppler DF antenna design
- Employs Agilent HSMP3893 SMT PIN diodes
- SMT / stripline circuit design, BNC output connector
- Audio Input : FM receiver speaker audio, 1.0 K ohm load. 25 db dynamic range.
- GPS Input : 4800 baud RS232 input, NMEA \$GPRMC, \$GPGGA and / or \$GPVTG messages.
- Output : RS232 Agrello DF message, 4800 baud, 8N2. (15 messages / second)
- Ant Outputs : Four discrete active HIGH outputs for DDF2020T Antenna (one per antenna) and 1 auxiliary antenna for improving it sesitivity and accuracy.



- Voice Filter: Switched-capacitor filter, (SCF) 4 sections. Bandwidth 0.2 Hz

When you use RS232(Serial) To USB Convertor, please install the right driver comes with it.

Antenna N should be placed in frontward of vehicle to indicate 0 degree of DF.Display.

When DDF2020 tunes with the right RF signal, it outputs clear 430 Hz audio signal which will indicates stable LED.